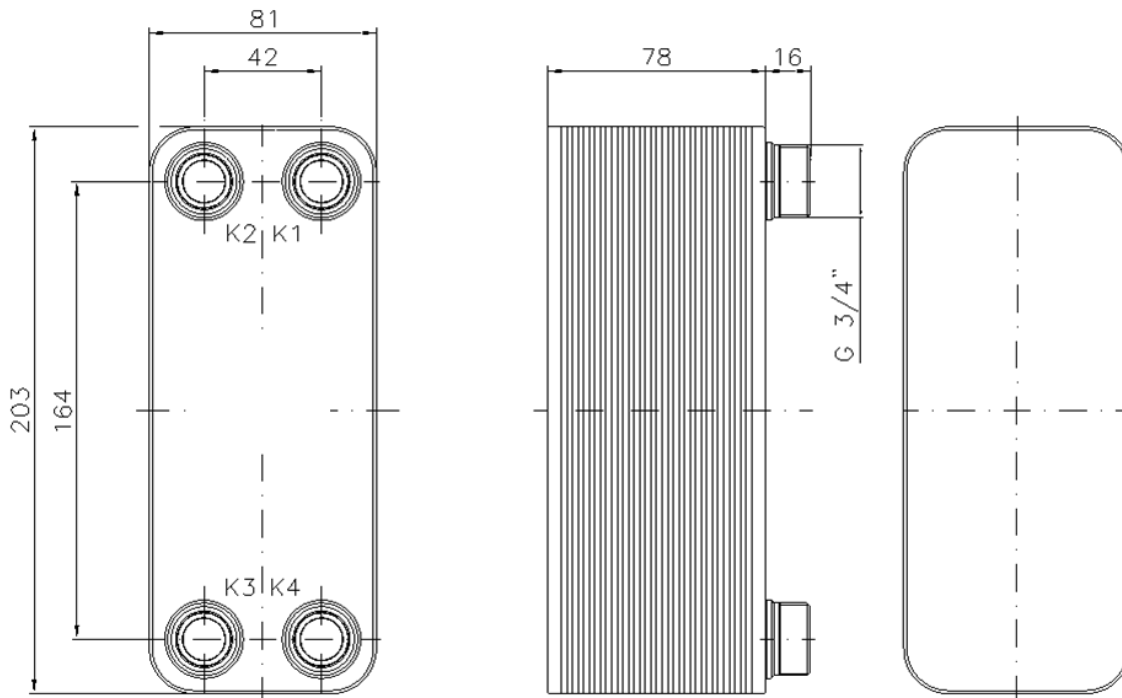


SAPHEX HEAT EXCHANGERS TECHNICAL DATA SHEET



Heat Exchanger

SPX14-30-3/4



WORKING CONDITIONS:

Max. Pressure	30	bar
Max. Temperature	230	°C
Min. Temperature	-195	°C

STANDARD OF CONNECTIONS LOCATION:

- K1 - Inlet Hot Side
- K2 - Outlet Cold Side
- K3 - Inlet Cold Side
- K4 - Outlet Hot Side

DESIGN DATA:

Hot Side Volume	0.3	l
Cold Side Volume	0.3	l
Weight	2.1	kg

CONNECTIONS TYPES:

- K1 - External Thread G 3/4"
- K2 - External Thread G 3/4"
- K3 - External Thread G 3/4"
- K4 - External Thread G 3/4"