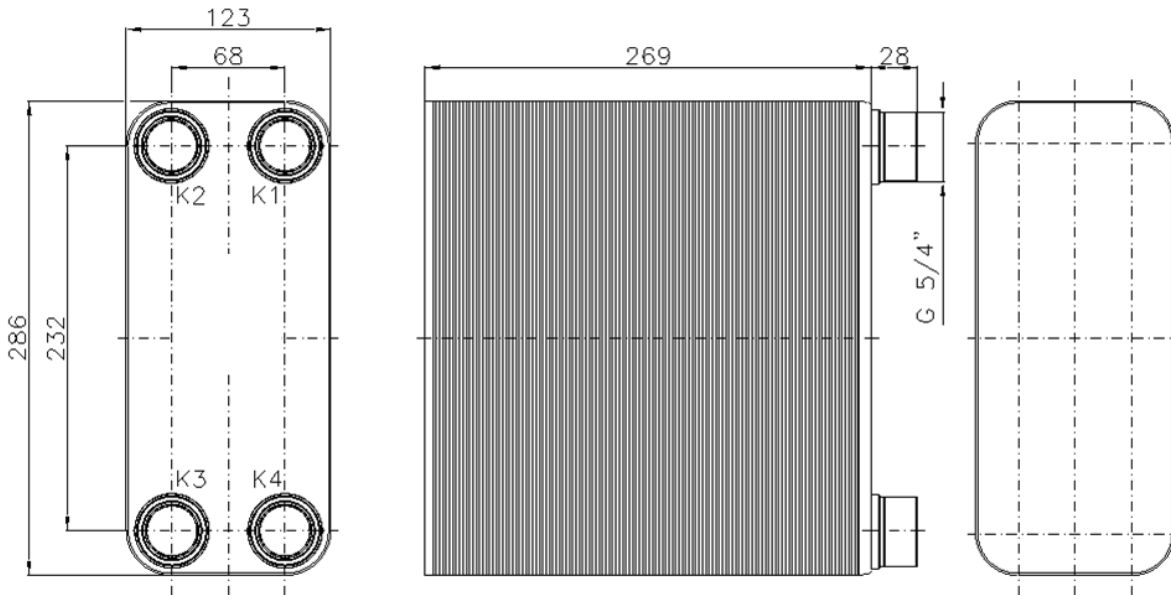


# SAPHEX HEAT EXCHANGERS TECHNICAL DATA SHEET



Heat Exchanger Type **SPX31-110-5/4"**



## WORKING CONDITIONS:

Max. Pressure	30	bar
Max. Temperature	230	°C
Min. Temperature	-195	°C

## STANDARD OF CONNECTIONS LOCATION:

- K1 - Inlet Hot Side
- K2 - Outlet Cold Side
- K3 - Inlet Cold Side
- K4 - Outlet Hot Side

## DESIGN DATA:

Hot Side Volume	3.4	l
Cold Side Volume	3.4	l
Weight	14.4	kg

## CONNECTIONS TYPES:

- K1 - External Thread G 1 1/4"
- K2 - External Thread G 1 1/4"
- K3 - External Thread G 1 1/4"
- K4 - External Thread G 1 1/4"