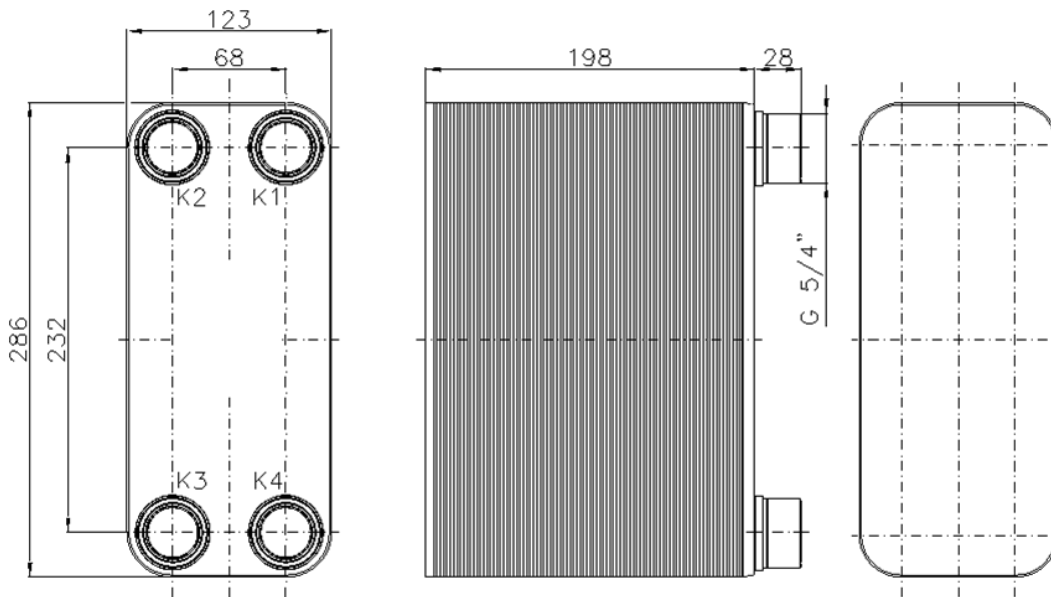


SAPHEX HEAT EXCHANGERS TECHNICAL DATA SHEET



Heat Exchanger Type **SPX31-80-5/4"**



WORKING CONDITIONS:

Max. Pressure	30	bar
Max. Temperature	230	°C
Min. Temperature	-195	°C

STANDARD OF CONNECTIONS LOCATION:

K1 - Inlet Hot Side
 K2 - Outlet Cold Side
 K3 - Inlet Cold Side
 K4 - Outlet Hot Side

DESIGN DATA:

Hot Side Volume	2.4	l
Cold Side Volume	2.5	l
Weight	10.9	kg

CONNECTIONS TYPES:

K1 - External Thread G 1 1/4"
 K2 - External Thread G 1 1/4"
 K3 - External Thread G 1 1/4"
 K4 - External Thread G 1 1/4"